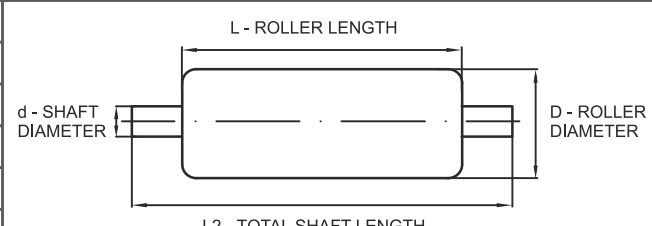
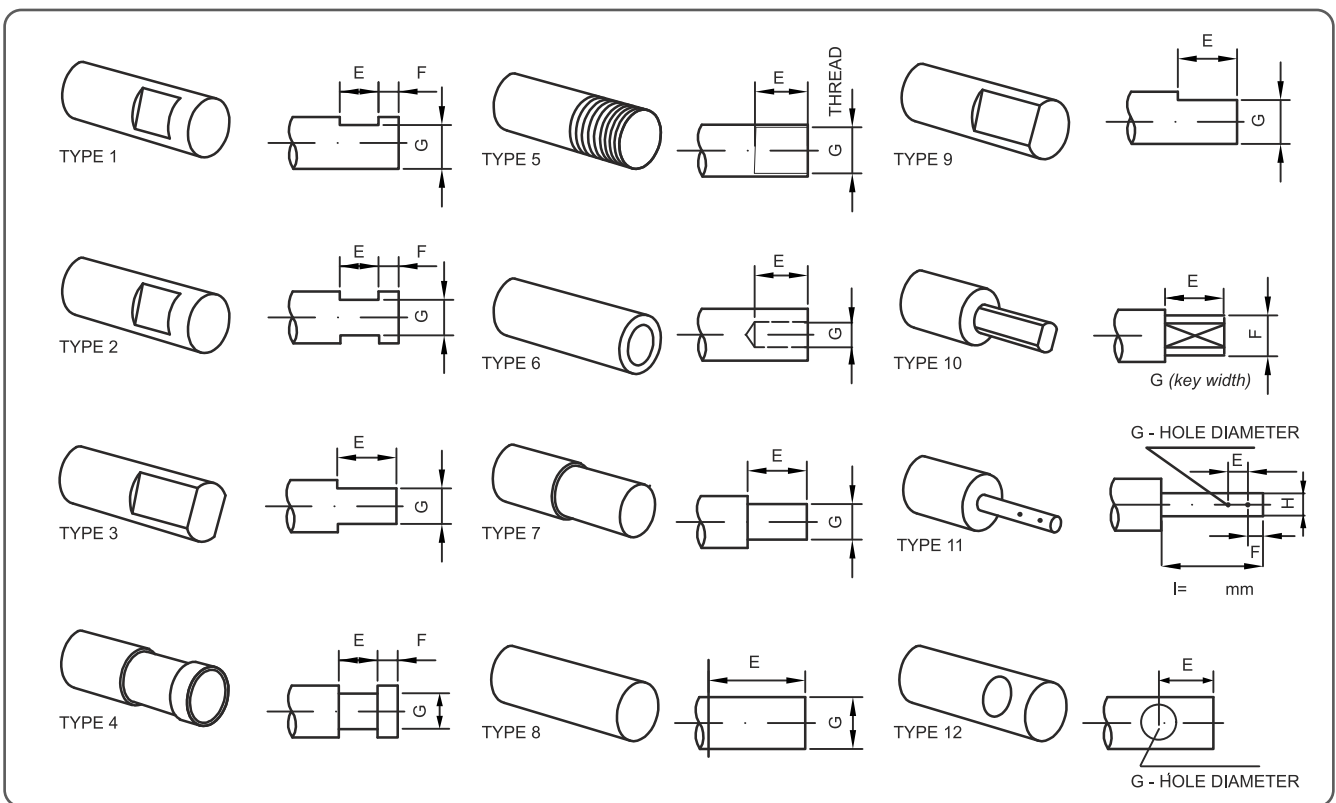
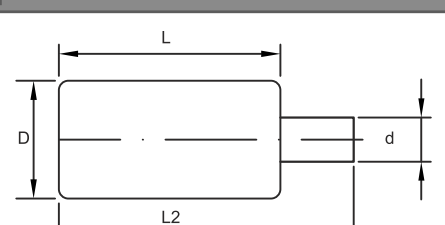


|  |  |                              |           |  |           |
|--|--|------------------------------|-----------|--|-----------|
| <b>CUSTOMER:</b>                                   |  | <b>E-MAIL:</b>               |           | <b>DELIVERY ADDRESS:</b>   |           |
|  |  |                              |           |  |           |
| <b>INQUIRY/ORDER DATE:</b>                         |  | <b>INQUIRY/ORDER NUMBER:</b> |           | <b>QUANTITY:</b>   |           |
|  |  |                              |           |  |           |
| <b>ROLLER DIMENSIONS:</b>                          |  |                              |           |  |           |
| L:   |  |                              |           |  |           |
| L2:  |  |                              |           |  |           |
| D:   |  |                              |           |  |           |
| d:   |  |                              |           |  |           |
| <b>SHAFT END TYPE (CHOOSE FROM THE LIST BELOW)</b> |  |                              |           |  |           |
| <b>SHAFT END 1:</b>                                |  | <b>E:</b>                    | <b>F:</b> | <b>G:</b>  | <b>H:</b> |
|  |  |                              |           |  |           |
| <b>SHAFT END 2:</b>                                |  | <b>E:</b>                    | <b>F:</b> | <b>G:</b>  | <b>H:</b> |
|  |  |                              |           |  |           |



|   |   |
|---|---|
| <input type="checkbox"/> <b>GUIDE ROLLER</b>  | <b>STANDARD ROLLER DIAMETERS: 51, 63.5, 88.9, 108, 133, 159</b><br><br><b>CUSTOM SIZES AND TYPES AVAILABLE ON REQUEST (DETAILED SPECIFICATION REQUIRED)</b> |
|  |   |